

KIOSK

Plastic Card Printer

Solution for an industrial on-demand card printing

evolIS

www.evolis.com

Specifications

Print Method	Color dye sublimation and monochrome thermal transfer Edge-to-edge printing as standard
Printer specifications	Integrated ribbon saver for monochrome printing
Print Speed	Up to 140 cards/hour in color (YMCKO), one side Up to 1000 cards/hour ¹ in monochrome, one side
Resolution	300 dpi (11.8 dots/mm)
Card Types	All PVC, Composite, ABS ² and special varnished ² cards
Card Format	CR-80 (53.98mm x 85.60mm - 3.375" x 2.125")
Card Thickness	0.76 mm (30mil)
Card Feeder Capacity	1000 cards (0.76mm-30mil)
Ribbon Types	5 panel color ribbon (YMCKO): 1000 cards / roll 6 panel color ribbon (YMCKOK): 800 cards/roll Half-panel color ribbon (YMCKO): 400 cards/roll 2 panel monochrome ribbon (KO): 500 cards/roll Black monochrome ribbon: 5000 cards/roll Other monochrome ribbons available: 1000 cards/roll (available in black, red, blue, green, white, gold, silver and scratch off) Hologram ribbon: 350 cards/roll
Printer Dimensions	Height: 545mm Width: 486,95mm Depth: 262mm
Printer Weight	15kg (33lbs)
Printer Interfaces	USB & parallel Centronics (supplied cable)
Indicators	Power (LED) End of Ribbon (LED) No Card (LED) Cleaning Alert (LED)
Power Supply	100~240 Volts CA, 60~50 Hertz Class B, FCC, and CE approved
Environmental	Min / Max operating temperature: 15°C / 30°C Operating humidity: from 20% to 65% non-condensing Min / Max storage temperature: -5°C / +70°C Storage humidity: from 20% to 70% non-condensing Ventilation: free air
Warranty	Printer: 1 year Print Head: 1 year or 500 000 passes ³
Available Drivers	For Windows NT 4.0, 2000 and Xp
Printer Options	Flip Over Module Card Feeder for thin cards (i.e. tickets) Dual HICO/LOCO Magnetic Stripe Encoder Smart Card Contact Station Contactless Smart Card Reader/Encoder – available upon study

The modular card printer



Easily integrated

The only card printer on the market dedicated to all kiosk application with a complete autonomy of 1000 cards in color.

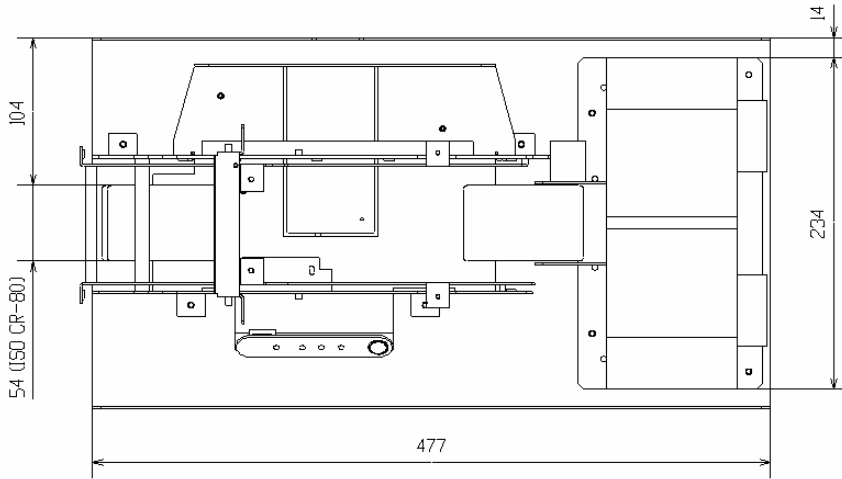
¹ Under specific conditions

² With the use of the BlackWAX monochrome ribbon

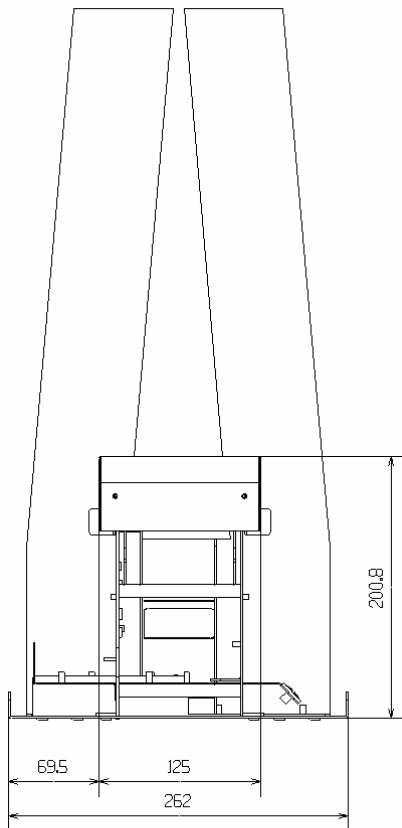
³ Only on the condition of the use of Evolis ribbons

Outline Dimensions

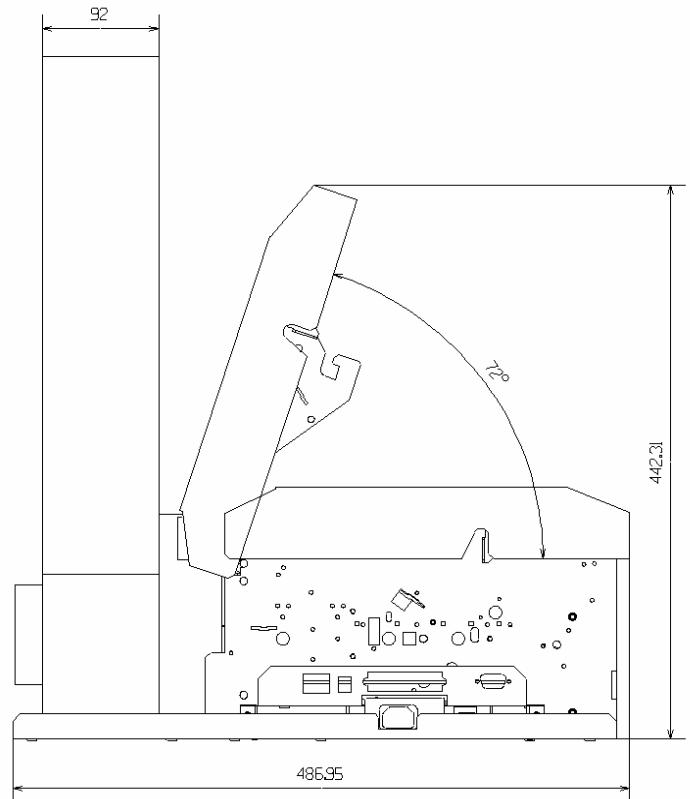
All the dimensions given on this page are in millimetres.



Printer Module
Seen from above



Card Feeder Module
Seen from back



Printer Module
Opening Angle